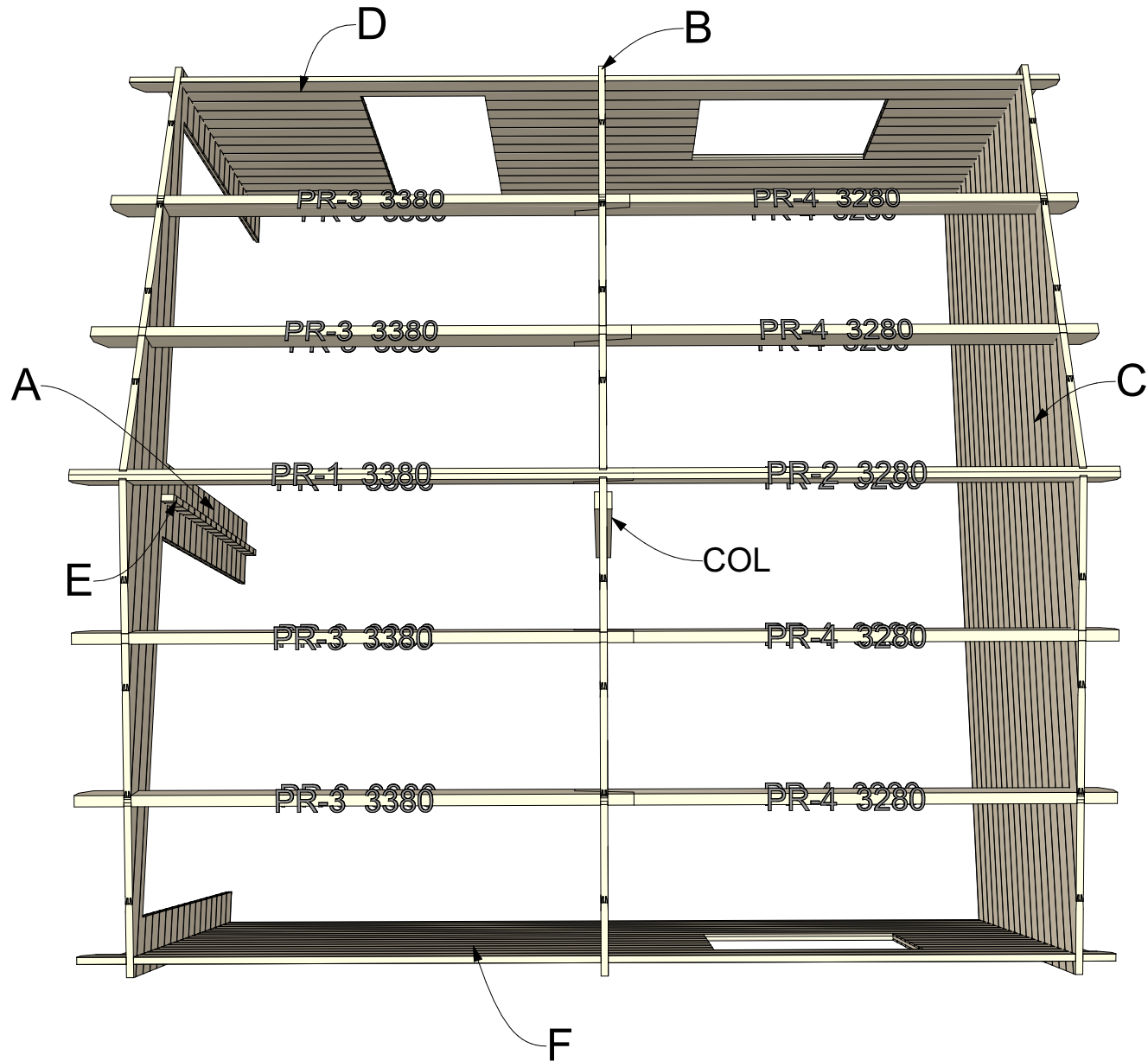




44 Garage 6x6 v.1

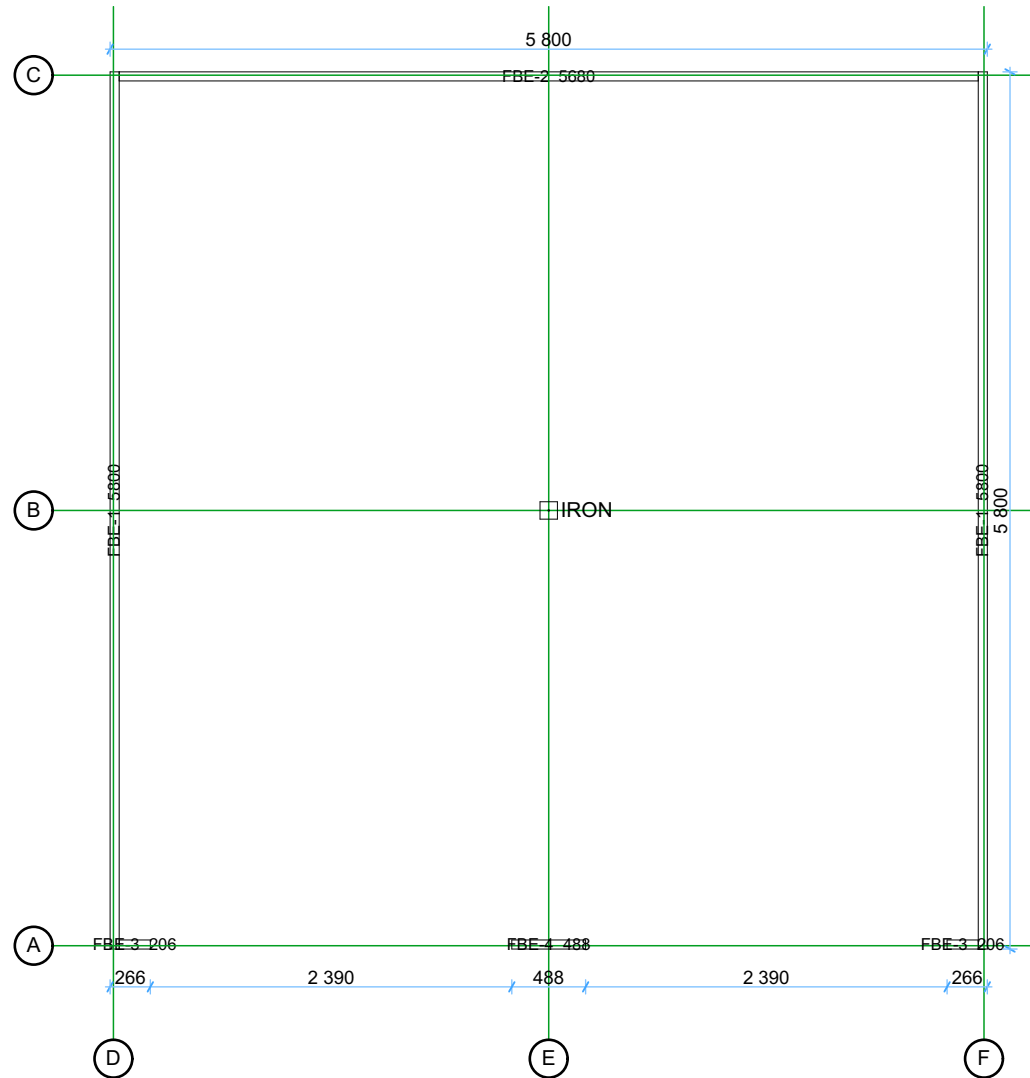
Walls and purlins positions



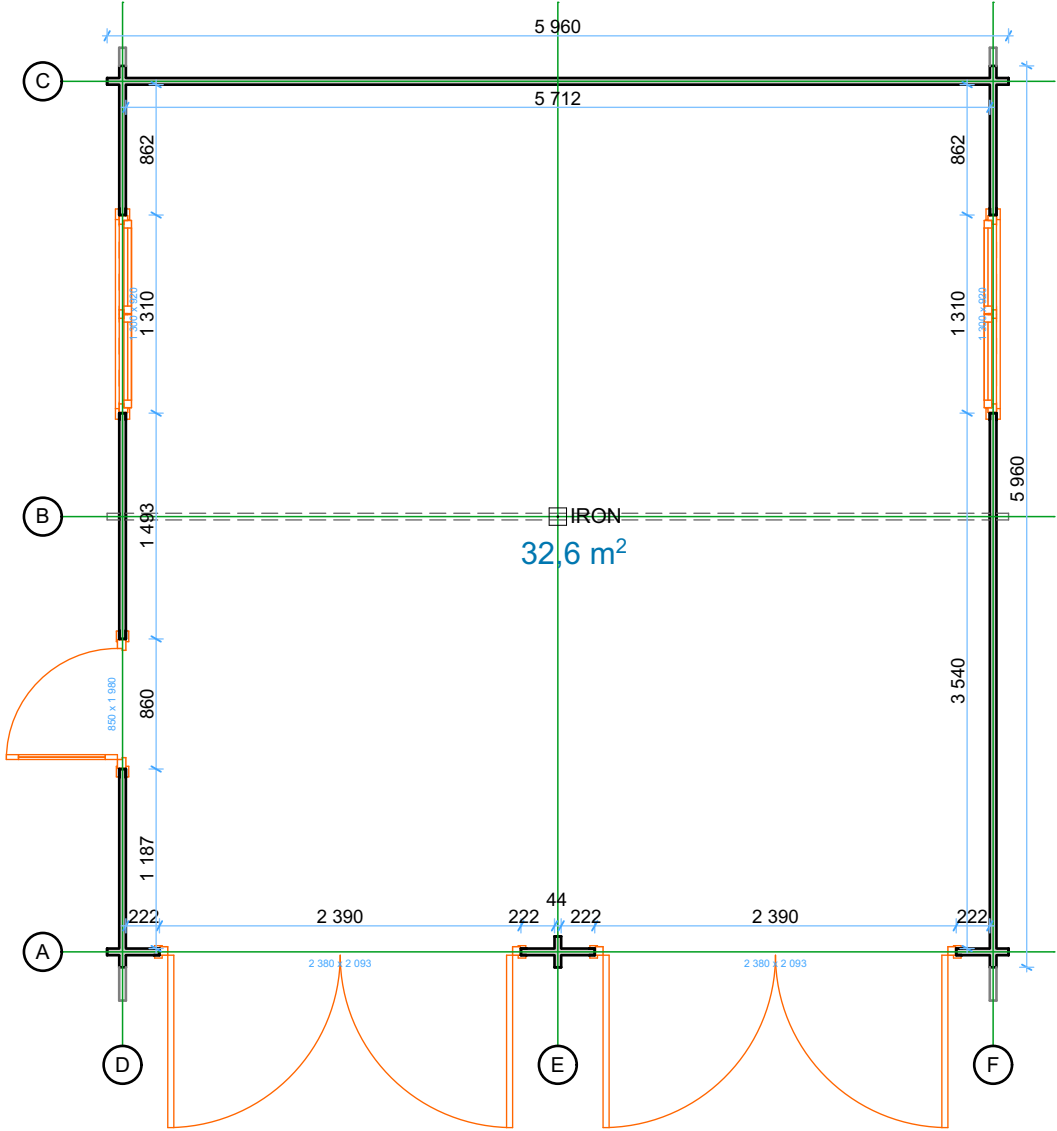
Thickness:	Project name:	Project ID:	Year:	Page:
44	Garage 6x6	v.1	2022	2

Floor bearers

1:50



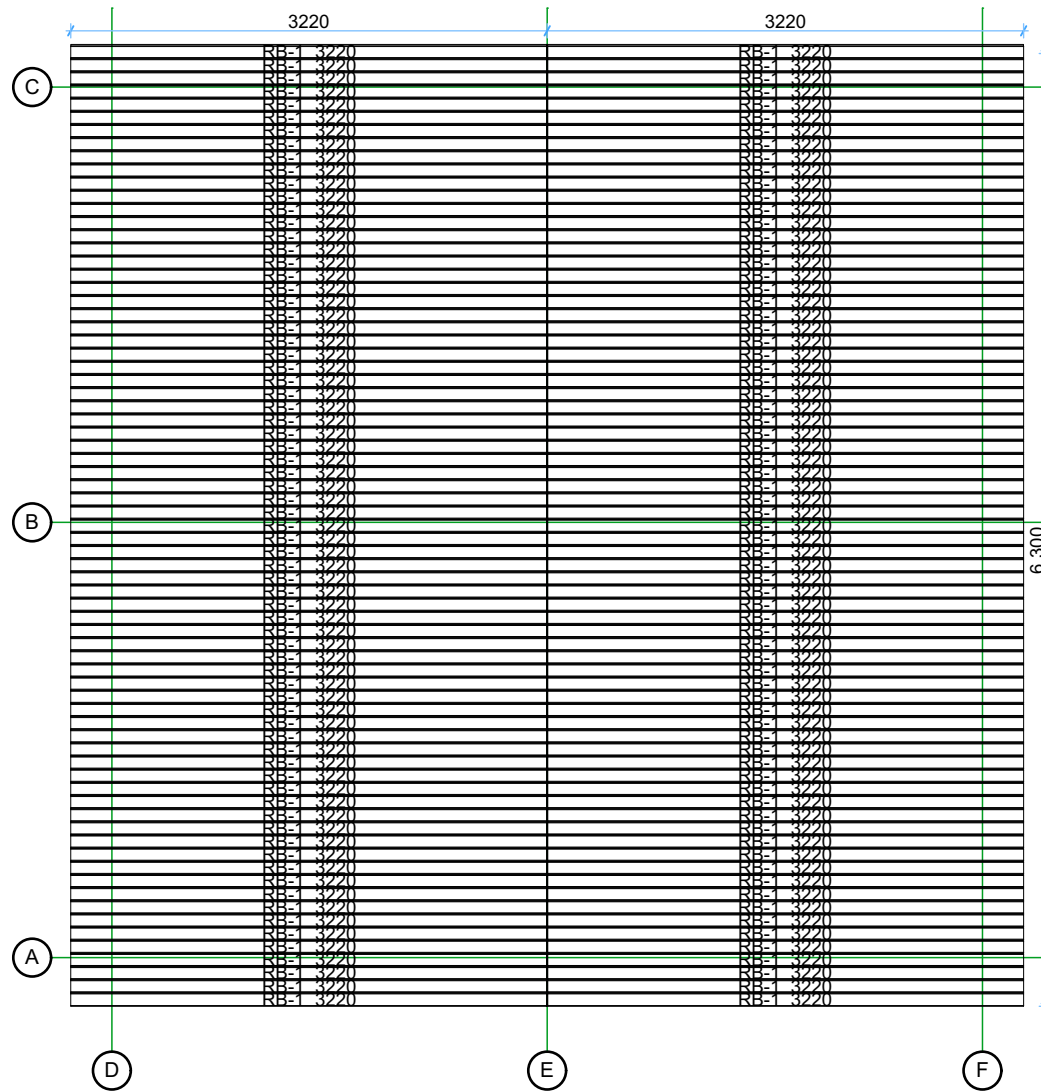
Thickness:	Project name:	Project ID:	Year:	Page:
44	Garage 6x6	v.1	2022	3



Thickness:	Project name:	Project ID:	Year:	Page:
44	Garage 6x6	v.1	2022	4

Roof boards

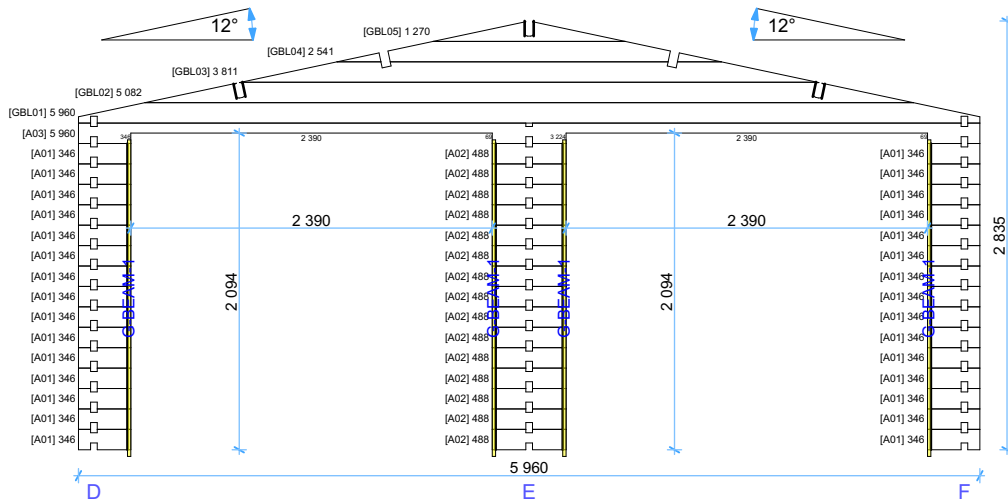
1:50



Thickness:	Project name:	Project ID:	Year:	Page:
44	Garage 6x6	v.1	2022	5

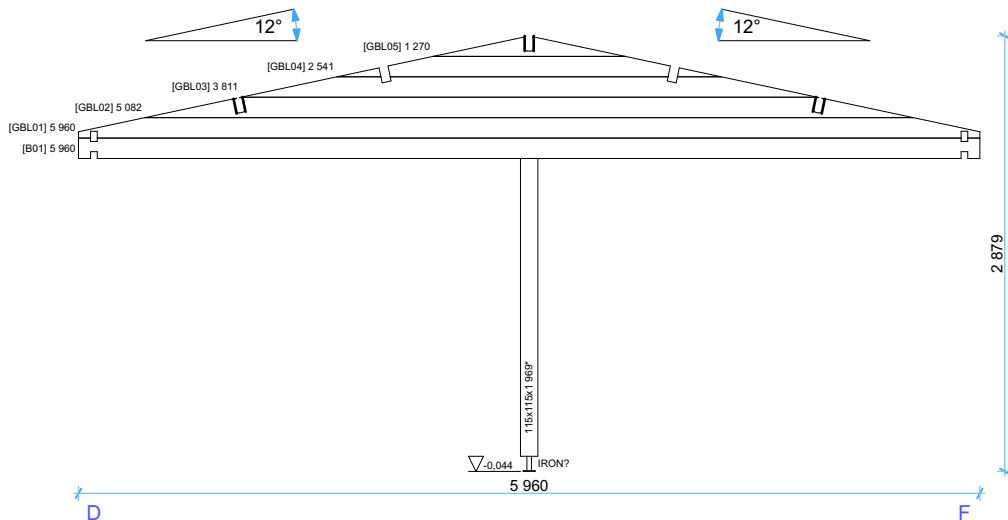
Wall A

1:50



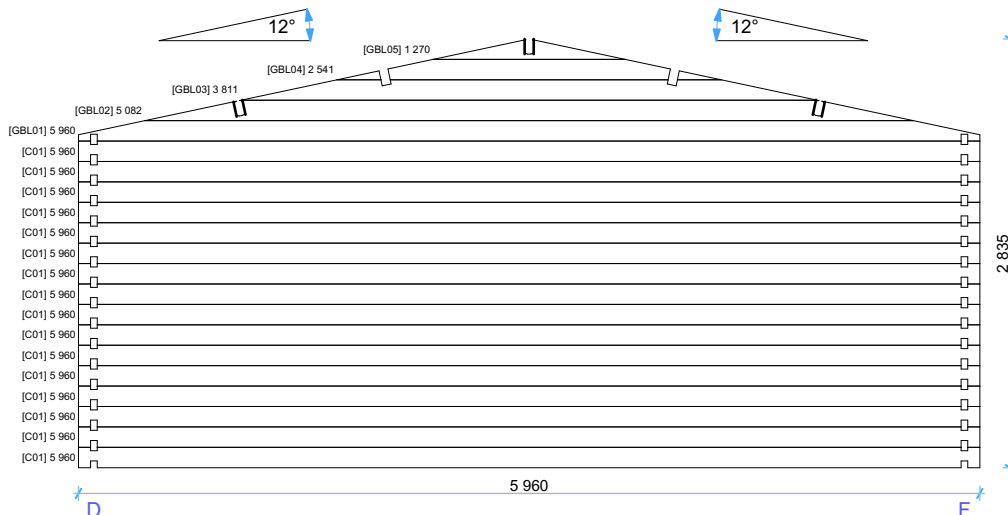
Wall B

1:50



Wall C

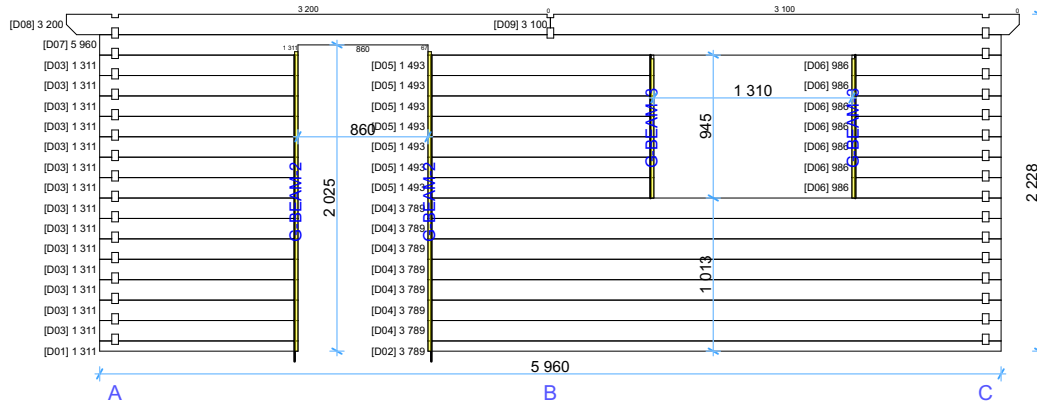
1:50



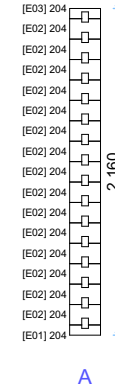
Thickness:	Project name:	Project ID:	Year:	Page:
44	Garage 6x6	v.1	2022	6

Wall D

1:50

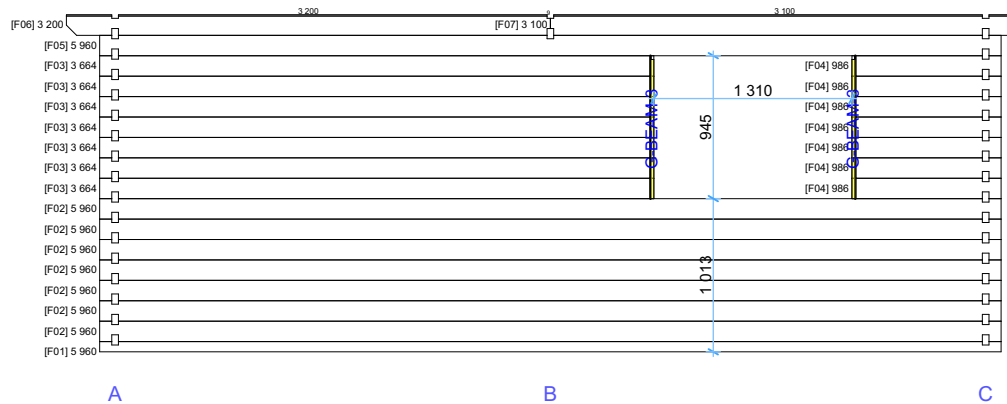


Wall E 1:50

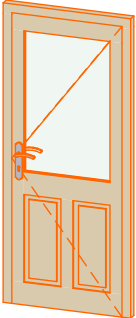
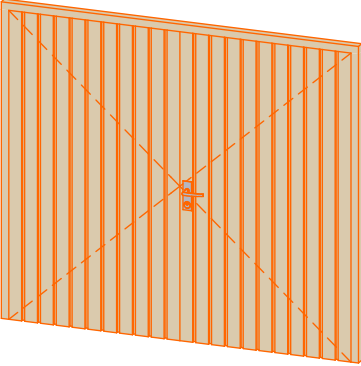
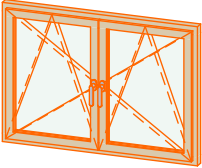


Wall F

1:50



Thickness:	Project name:	Project ID:	Year:	Page:
44	Garage 6x6	v.1	2022	7

Windows and doors list							
Type-quality	Barcode	Wall Thickness	W x H Size	Orientation	Glazing	Quantity	3D Axonometry
Door - Premium	PP19885-2	44	850×1 980	R	50% glass, double glazed	1	
Garage gate - Wooden	GG-WOOD	44	2 380×2 093	R	Full wood	2	
Window - Premium	PP92130	44	1 300×920		Double glazed	2	

Thickness:	Project name:	Project ID:	Year:	Page:
44	Garage 6x6	v.1	2022	8